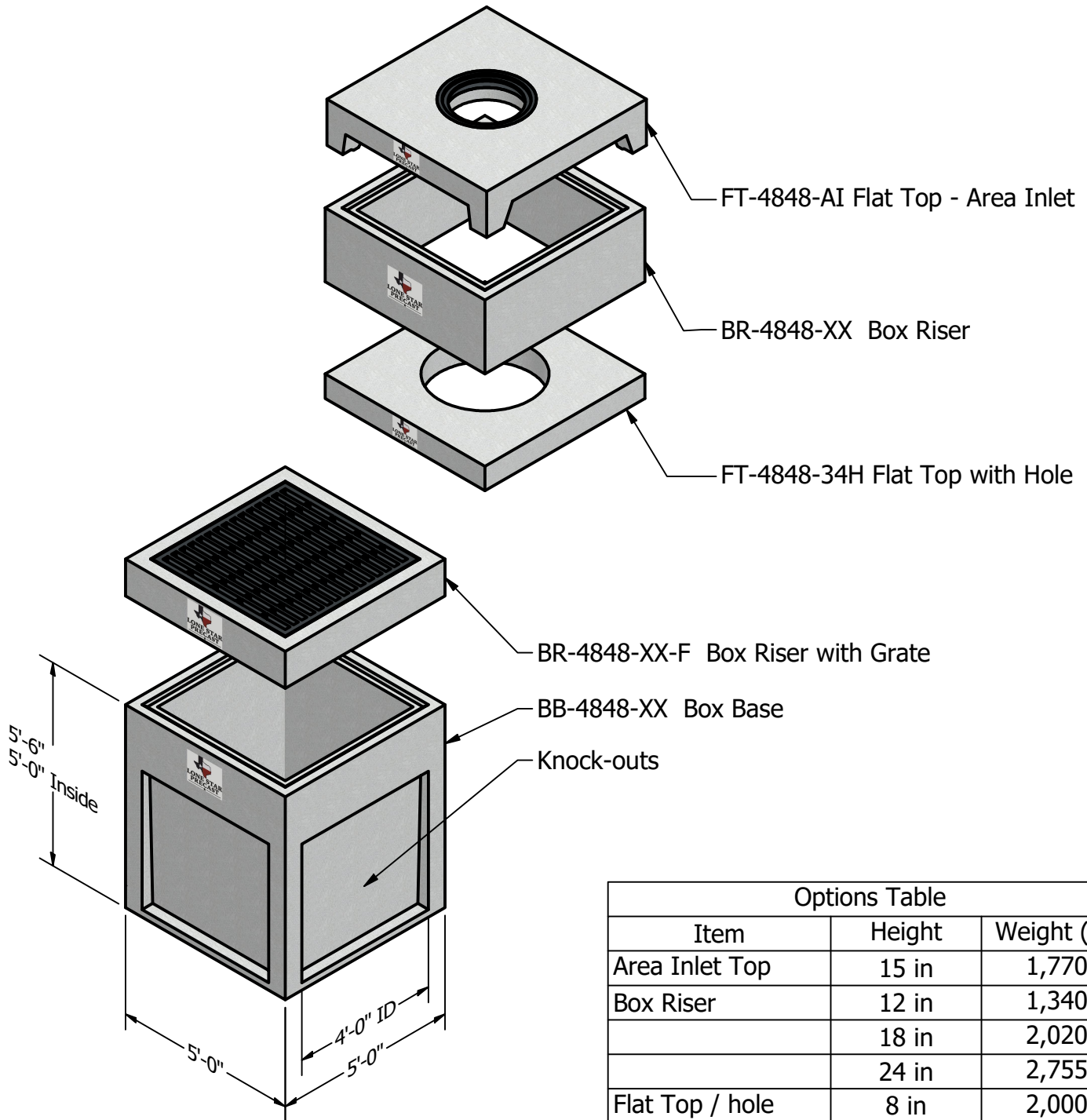


4' X 4' Storm Box with Options



Specifications



Concrete strength: 5,000 PSI

Reinforcement:

- ASTM A-615 grade 60
- ASTM A1064

Options Table		
Item	Height	Weight (lb)
Area Inlet Top	15 in	1,770
Box Riser	12 in	1,340
	18 in	2,020
	24 in	2,755
Flat Top / hole	8 in	2,000
Box Riser / Frame	12 in	1,340 *
Box Base	60 in	7,075

* Not including grate

 <p>Lone Star Precast 454 Kelly Smith Lane Buda, Texas 78610 Ph: 512.312.2121</p> 	TITLE 4' x 4' Storm Box System		
	PART NO BB-4848 Storm System	DWG NO BB-4848 Storm System-SS.idw	REV
DRAWN RMD	2/23/2022	SCALE 1 / 40	Dimensions Unit: inch
		SHEET 1 OF 1	